

### INSTALLATION INSTRUCTIONS

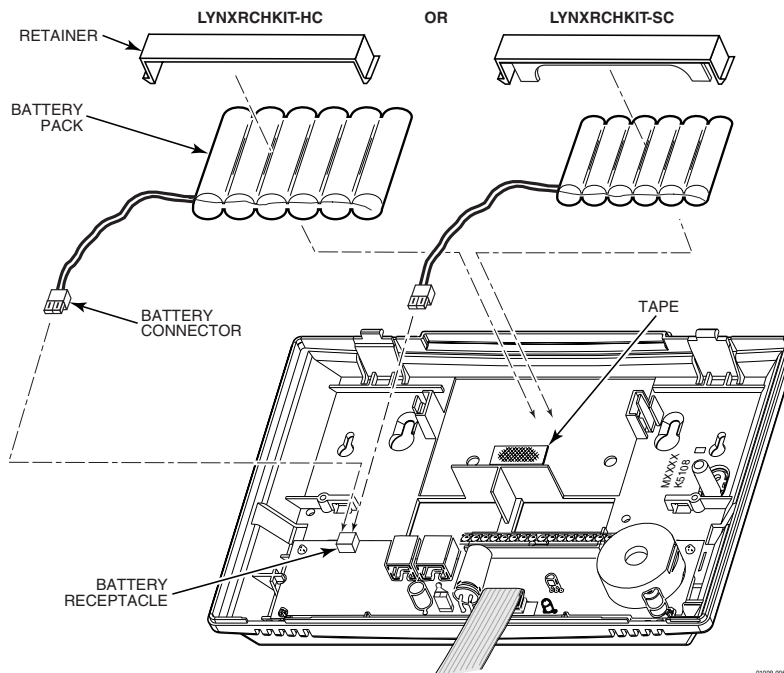
#### GENERAL INFORMATION

The LYNXRCHKIT-SC, LYNXRCHKIT-HC and LYNXRCHKIT-SHA rechargeable battery kits are designed to replace the rechargeable battery installed in the LYNXR-EN/LYNXR-ENSIA, LYNXR-I/LYNXR-ISIA series control panels. When battery replacement is required, perform the following steps.

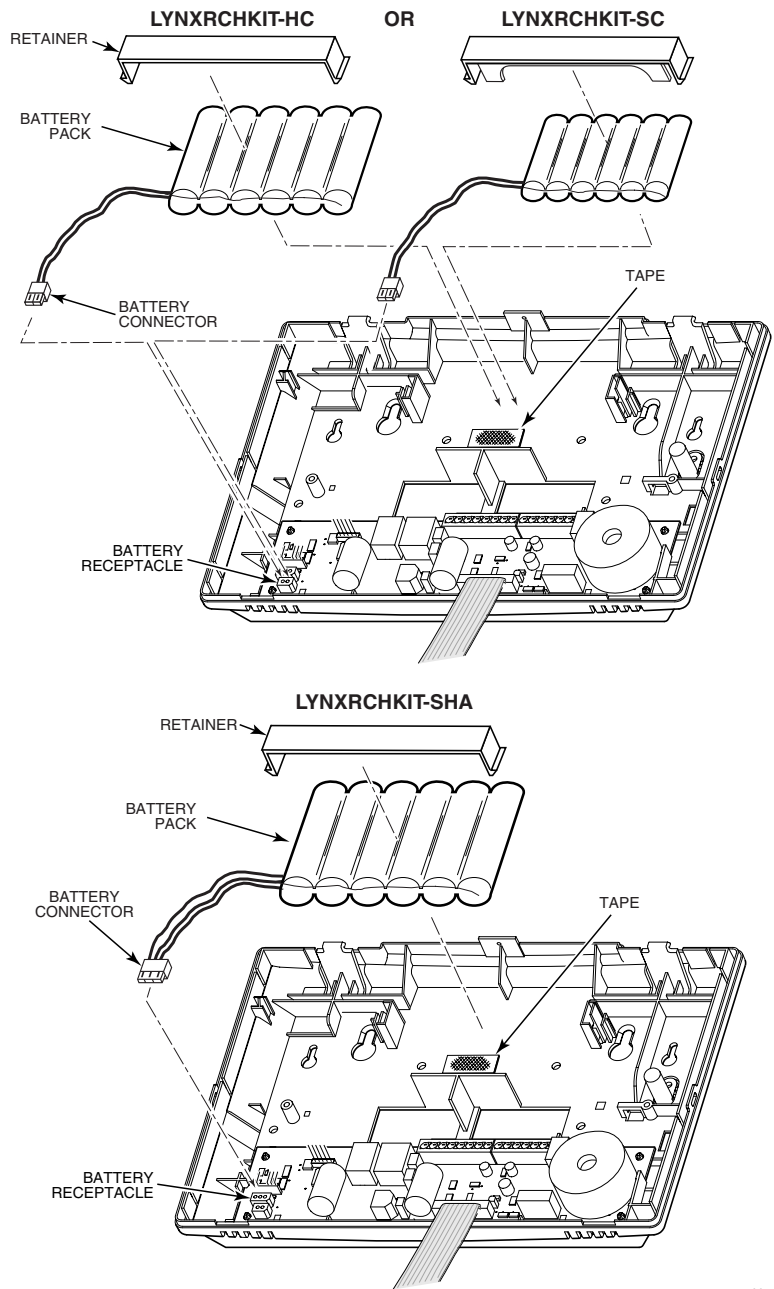
STEP	ACTION
1.	Unplug the transformer from the wall outlet and open the control panel cover.
2.	Remove the battery retainer and disconnect the battery pack connector from the receptacle on the terminal block PC board. Refer to Figure 1 for the LYNXR-EN or Figure 2 for the LYNXR-I.
3.	Remove the battery pack from the back plate.
4.	Replace tape on back plate assembly (if necessary).
5.	Install the battery pack in the back plate. Refer to Figure 1 for the LYNXR-EN or Figure 2 for the LYNXR-I.
6.	Install the battery retainer.
7.	Connect the battery connector to the receptacle on the terminal block PC board.
8.	After the wiring connection has been made, snap the front assembly to the back plate.
9.	Plug the transformer into a 24-hour, 110VAC unswitched outlet.
10.	Rechargeable batteries may take up to 48-hours to fully charge. The "LOW BAT" message should clear within four hours or by entering Test Mode.



**Ensure the control panel cover is closed prior to applying AC power.**



**Figure 1 – Replacing the LYNXR-EN Battery pack**



07000-006-V1

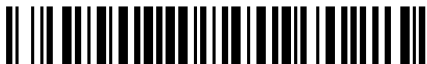
**Figure 2 – Replacing the LYNXR-I Battery pack**

# Honeywell

**165 Eileen Way, Syosset, New York 11791**

Copyright © 2006 Honeywell International Inc.

[www.honeywell.com/security](http://www.honeywell.com/security)



K4179-1V1 9/06 Rev. A